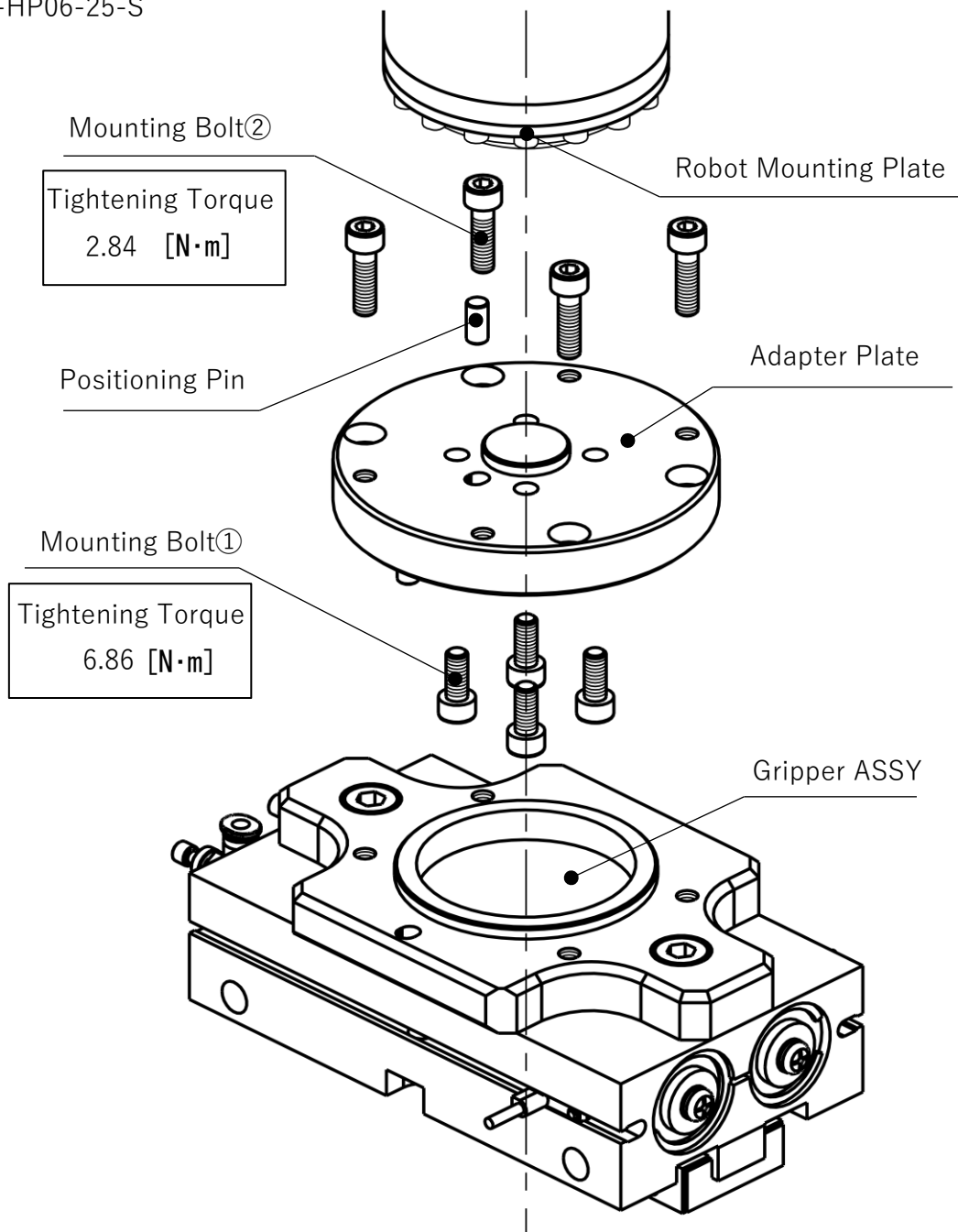




**【Mounting Method】**

ARM-K-HP06-25-S



Mounting Bolt		Remarks	Tightening Torque
①	M5X12L (Nickel Plating)	Screw Depth 7 ~ 8	6.86 [N·m]
②	M5X18L (Nickel Plating)	Mounting Gripper ASSY	2.84 [N·m]

reference)

Screw Depth 7	RS007N/L, RS013N/L etc
Screw Depth 8	RS003, RS005N/L etc