

Angular Gripper

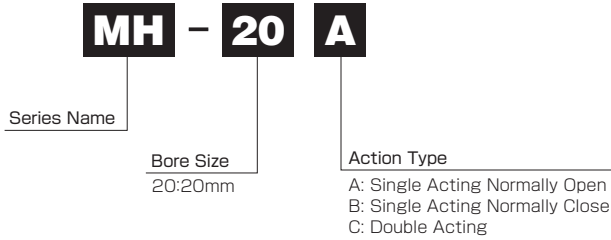
# MH Series



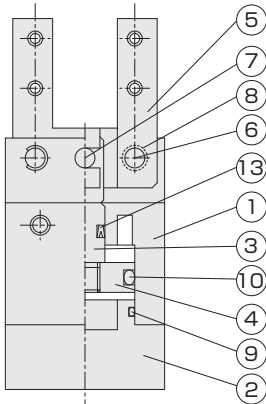
## ◆ Compact and Lightweight

This product is compact and lightweight because its main body is made of aluminum alloy.

■ Model Code No.



■ Internal Structure Diagram



Parts List

NO	Name	Material
1	Main Body	Aluminum Alloy
2	Head Cover	Aluminum Alloy
3	Piston Rod	Carbon Steel
4	Piston	Brass
5	Lever	Carbon Steel
6	Fulcrum Pin	Carbon Steel
7	Press Fit Pin	Carbon Steel
8	Metal	Brass
9	O Ring	NBR
10	O Ring	NBR
11	Countersunk Head Screw	Carbon Steel
12	Locating Snap Ring for Shaft	Hard Steel
13	Rod Packing	NBR

## Specifications

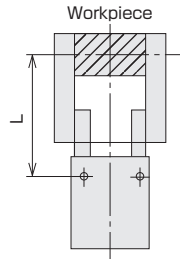
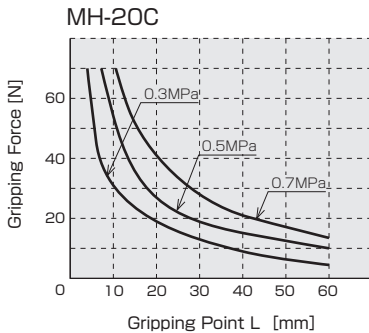
Fluid	Air
Maximum Operating Pressure [MPa]	0.7
Proof Pressure [MPa]	1.05
Operating Temperature [°C]	0~60 (No Freezing)
Lubrication	Required (Equivalent to Turbine ISO VG32)
Pipe Bore	M5×0.8

Action Type	Model	Bore Size [mm]	Minimum Operating Pressure [MPa]	Lever Screw		Gripping Force [N] <sup>Note 1</sup>		Outside Dimensions (T x W x L) [mm] <sup>Note 2</sup>	Product Mass [g]
						Close	Open		
Double Acting	MH-20C	20	0.1	M4×0.7 (x 4)	M3×0.5 (x 4)	19	22	32×32×50.5	195
Single Acting Normally Open	MH-20A	20	0.2	M4×0.7 (x 4)	M3×0.5 (x 4)	8	—	32×32×50.5	180
Single Acting Normally Close	MH-20B	20	0.2	M4×0.7 (x 4)	M3×0.5 (x 4)	—	22	32×32×50.5	180

Note 1): L indicates the distance (cm) from the fulcrum pin to the grip point. This is an effective value when the pressure is 0.5 MPa.

Note 2): The outside dimensions indicate the main body dimensions. (Excluding the levers)

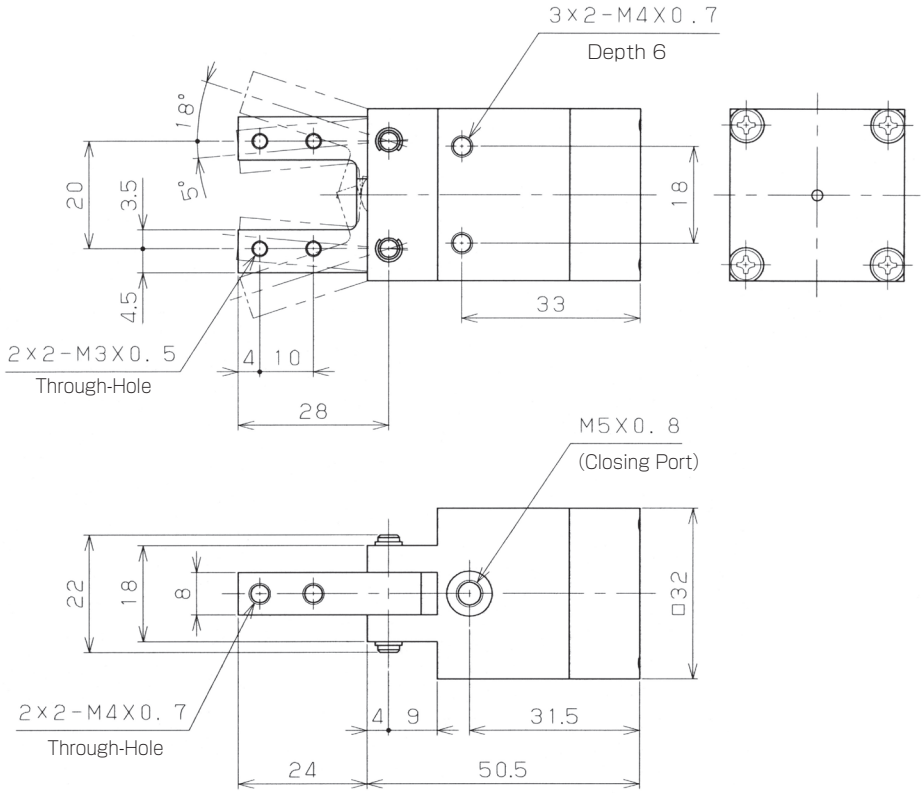
## Effective Gripping Force (Closing Force)



Dimensions MH-20A

MH Series

Angular Gripper





Dimensions MH-20C

