









BATTERY RELAYS





New-Era No.	Ref.No.	Application
BR-153 12V  ⊖ Cut	BS-1 AE	KOMATSU KOMATSU INTERNATIONAL MITSUI ZOSEN NIIGATA TEKKO INDUSTRIAL USE
BR-155 12V  ⊕ Cut		KOMATSU KOMATSU INTERNATIONAL INDUSTRIAL USE
BR-159 12V  ⊕ Cut	BS2-121	UNIVERSAL
BR-160 12V  ⊕ Cut	BS2-141	UNIVERSAL

BATTERY RELAYS


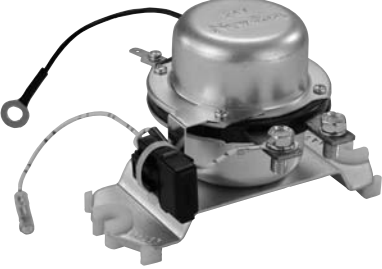


BATTERY RELAYS

New-Era No.	Ref.No.	Application	
BR-161  12V ⊕ Cut	25230-C6400 BS791	NISSAN	
BR-162  12V ⊕ Cut	8970261600 BS971	ISUZU	
BR-253  24V ⊖ Cut	8279-0008 8279-0018 8279-0021 8279-0033 8279-0043 BS-E ₁ AE	ISUZU BUS, TRUCK TX541, 542, 552 BR351, 751 BA741, BC161	62~68
BR-257  24V ⊕ Cut	60713-50450 60713-50451 BS-L AE	HINO TRUCK KC320, KF721, KM300, TC311, ZM711	69~72





BATTERY RELAYS

New-Era No.	Ref.No.	Application
BR-259  24V ⊕ Cut	25613-90008	NISSAN(DIESEL) UD TRUCK 6TWCTC80/81 69~
BR-261  24V ⊕ Cut	8279-0052 8279-0055 8279-0065 BS-N AE BS-H AE Q AE	ISUZU BUS, TRUCK BH20P, TX, TD 69~72
BR-262  24V ⊕ Cut	8255-0008 60713-52330	ISUZU TRUCK TX, TD 73~
BR-263  24V ⊕ Cut	8255-0009	ISUZU BUS, TRUCK TX, TD, BU 73~

BATTERY RELAYS





New-Era No.	Ref.No.	Application
BR-264  24V ⊕ Cut	8255-0012 BS-264 AE	ISUZU TRUCK TX, TD 73~
BR-265  24V ⊕ Cut	25613-Z2000 25613-Z2002 BS-312 AE	NISSAN(DIESEL) UD TRUCK 79~
BR-266  24V ⊖ Cut	08088-10000	KOMATSU
BR-268  24V ⊕ Cut	25613-90016 BS662-1	NISSAN

BATTERY RELAYS

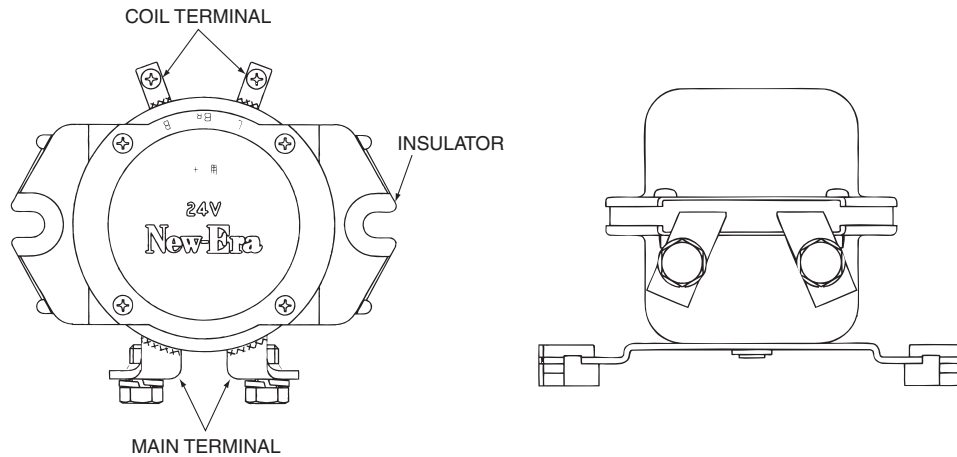
New-Era No.	Ref.No.	Application
BR-270  ⊕ Cut	24V 8-94379543-0 8-94379543-1 X4255762 BS982	ISUZU HITACHI
BR-271  ⊕ Cut	24V 25510-Z6000 BS-082-2	NISSAN
BR-621  ⊕ Cut	24V	KOMATSU BR-262 TYPE
BR-630  ⊕ Cut	24V	KOMATSU BR-262 TYPE

BATTERY RELAYS

BATTERY RELAYS

New-Era No.	Ref.No.	Application
<p>BR-631 24V</p>  <p style="text-align: right;">⊕ Cut</p>		<p>KOMATSU BR-265 TYPE</p>
<p>BR-632 24V</p>  <p style="text-align: right;">⊕ Cut</p>		<p>KOMATSU</p>
<p>BR-633 24V</p>  <p style="text-align: right;">⊕ Cut</p>		<p>KOBELCO</p>
<p>BR-670 24V</p>  <p style="text-align: right;">⊕ Cut</p>		<p>KOMATSU KOBELCO</p>

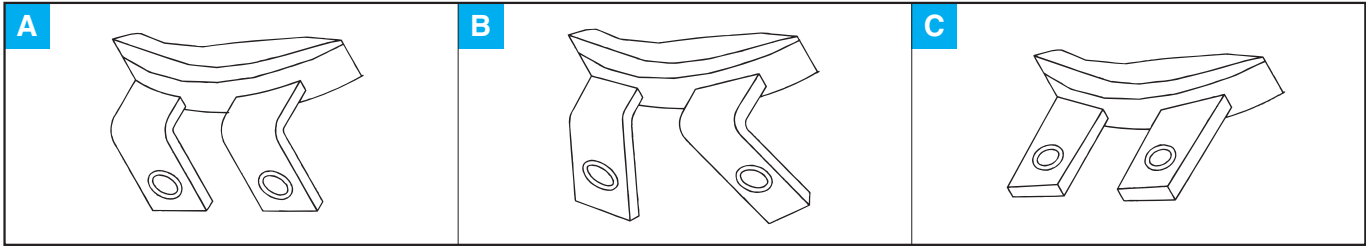
BATTERY RELAYS



New-Era No.	Cut	Rated Voltage		Rated Current		Insulator on bracket	Shape of main terminal	Type of circuit	Remarks
		Starting	Charging	Within 0.1sec.	Continuous				
BR-153	—	12V	14V	1000A	40A	without	A	1	
BR-155	+	12V	14V	1000A	40A	without	A	2	
BR-159	+	12V	14V	1000A	100A	with	B	6	
BR-160	+	12V	14V	1000A	100A	with	B	4	
BR-161	+	12V	14V	1000A	100A	with	C	6	
BR-162	+	12V	14V	1000A	100A	with	C	4	
BR-253	—	24V	28V	1000A	120A	without	A	1	
BR-257	+	24V	28V	1000A	120A	without	A	3	
BR-259	+	24V	28V	1000A	35A	without	C	2	
BR-261	+	24V	28V	1000A	120A	with	B	2	
BR-262	+	24V	28V	1000A	35A	with	B	4	one lead wire on coil terminal
BR-263	+	24V	28V	1000A	35A	with	B	4	two lead wires on coil terminal
BR-264	+	24V	28V	1000A	35A	with	B	4	no lead wire on coil terminal
BR-265	+	24V	28V	1000A	35A	with	C	6	
BR-266	—	24V	28V	1000A	35A	without	A	8	
BR-268	+	24V	28V	1000A	100A	with	C	6	High bracket type
BR-270	+	24V	28V	1000A	100A	with	C	4	
BR-271	+	24V	28V	1000A	100A	with	C	6	
BR-621	+	24V	28V	1500A	120A	with	B	7	
BR-630	+	24V	28V	1000A	100A	with	B	5	
BR-631	+	24V	28V	1000A	100A	with	C	5	
BR-632	+	24V	28V	1000A	120A	with	B	9	
BR-633	+	24V	28V	1000A	120A	with	C	9	
BR-670	+	24V	28V	1000A	120A	with	B	10	

BATTERY RELAYS

SHAPE OF MAIN TERMINAL



TYPE OF CIRCUIT

