

OTHERS

BACK LAMP SWITCHES




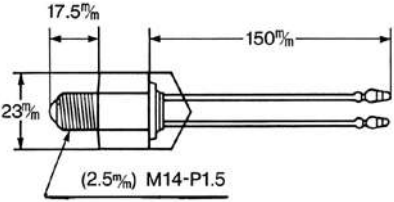
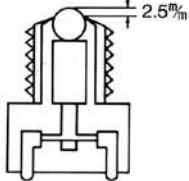
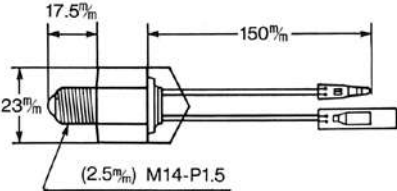
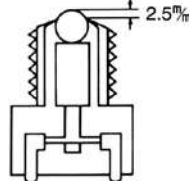
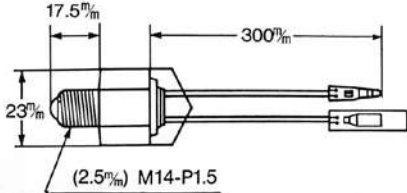
New-Era No.	Ref.No.	Application
BLS-312 	8275-0469	HILLMAN 62~
BLS-313 	8275-0180 8275-0037	ELF BELLEL BELLETT 64~
BLS-314 		ISUZU TRUCK

Illustration	New-Era No.	Specification
	BLS-312	DC12V5A NORMAL CLOSE 
	BLS-313	DC12V5A NORMAL CLOSE 
	BLS-314	DC12V5A NORMAL OPEN 