

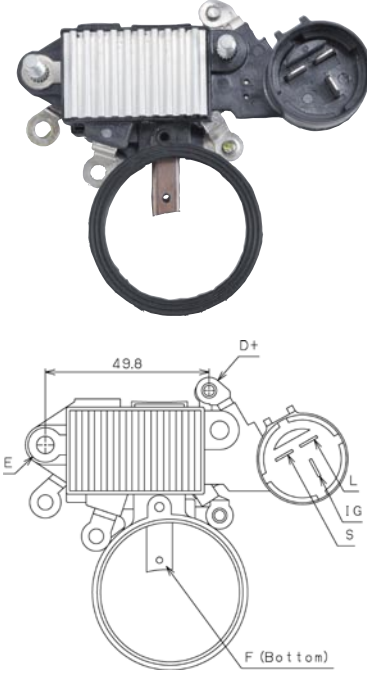
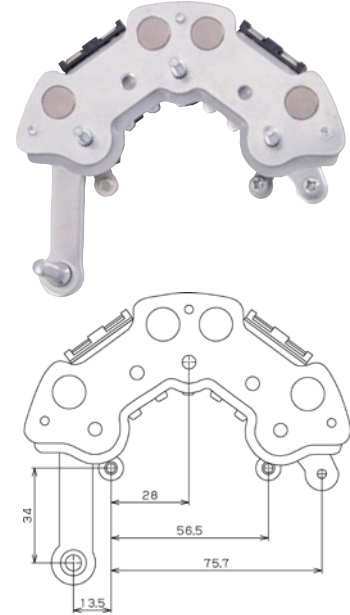
NEW PRODUCTS NP-197

Illustration	Ref. No.	Application	On Sale
<p>IVR-978 12V</p>	<p>32500-61J00 ALTERNATOR 12V 31400-61J00</p>	<p>SUZUKI APV (GC415) BALENO (GC415)</p>	DEC.'11
<p>DIVR-864607 24V</p>	<p>8-97111263-0 (L250G-2308) ALTERNATOR 24V 50A 8-97148496-1 (LR250G-507C) (LR250-504C) (LR250-504) (LR250-503) 24V 60A 8-97175390-1 (LR260-504B) 8-97143011-1 (LR260-502K)</p>	<p>ISUZU ELF NKR,NPR (4HF1,4HG1,4HJ1) '97~'04 MAZDA TITAN WG64,WG3 (4HG1,4HF1) '95~'97</p>	DEC.'11

<http://www.newera.co.jp/>

New-Era Co., Ltd.



Illustration	Ref. No.	Application	On Sale
<p>IVR-864 24V</p> 	<p>8-97111264-0 (L235G-4315)</p> <p>ALTERNATOR 24V 35A 8-97074882-2 (LR235-503C) 8-97138179-0 (LR235-703) 8-97138179-2 (LR235G-703E) (LR235-504)</p> <p>24V 50A 8-97148496-1 (LR250G-507C) (LR250-504C) (LR250-504) (LR250-503)</p> <p>24V 60A 8-97175390-1 (LR260-504B) 8-97143011-1 (LR260-502K) (102211-5330)</p>	<p>ISUZU ELF NKR,NPR (4HF1,4HG1,4HJ1) '97~'04 ELF250 NKR66,NKS66 (4HF1) '94~'97 ELF350 NPR66,NPS66 (4HF1) '94~'97</p> <p>MAZDA TITAN WG64,WG3 (4HG1, 4HF1) '95~'97</p> <p>NISSAN CIVILIAN W40 (4HG1) '95~'03</p> <p style="text-align: center;">Regulator for Rectifier Assembly DIVR-864607</p>	<p>DEC.'11</p>
<p>D-607 24V</p> 	<p>8-97083286-0 (L250G-1320)</p> <p>ALTERNATOR 24V 50A 8-97148496-1 (LR250G-507C) 8-97136575-2 (LR250-505G) (LR250-504C) (LR250-504) (LR250-503)</p> <p>24V 60A 8-97175390-1 (LR260-504B) 8-97143011-1 (LR260-502K)</p>	<p>ISUZU ELF NKR,NPR (4HF1,4HG1,4HJ1) '97~'04 NPR,NQR (4HE1) '98~'99</p> <p>MAZDA TITAN WG64,WG3 (4HG1,4HF1) '95~'97</p> <p style="text-align: center;">Rectifier for Rectifier Assembly DIVR-864607</p>	<p>DEC.'11</p>