
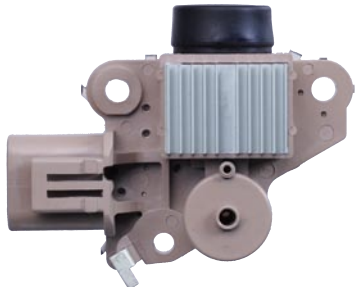


NEW PRODUCTS NP-208

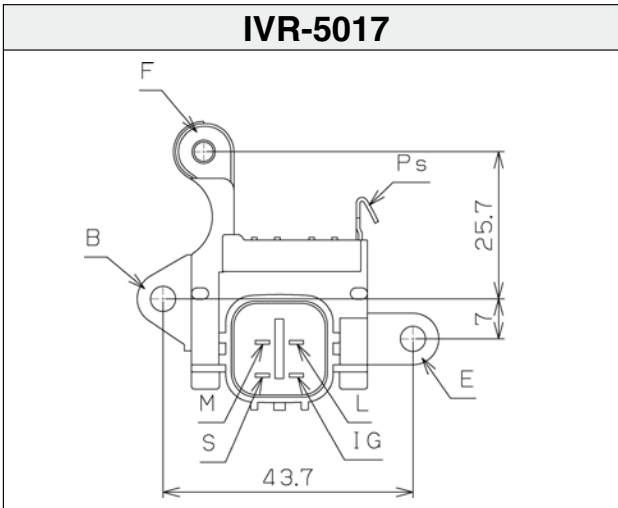
Illustration	Ref. No.	Application	On Sale
<p>SS-2730 24V</p> 	<p>28150-78090 (1350-176-01X9)</p> <p>STARTER 24V 4.5KW 28100-78090 (0355-502-0212)</p>	<p>HINO DUTRO</p> <p>TOYOTA DYNA</p> <p style="text-align: center;">※WITHOUT BRACKET AND COVER.</p>	<p>MAY. '13</p>
<p>IVR-418 12V</p>  <p>100PCS./CARTON CARTON SIZE: 41×24×51cm(0.0502m³) G/W:11.0kg</p>	<p>37370-8Y020</p> <p>ALTERNATOR 24V 0K87T-18-30A</p>	<p>HYUNDAI 5TON TRUCK</p>	<p>APR.'13</p>

<http://www.newera.co.jp/>

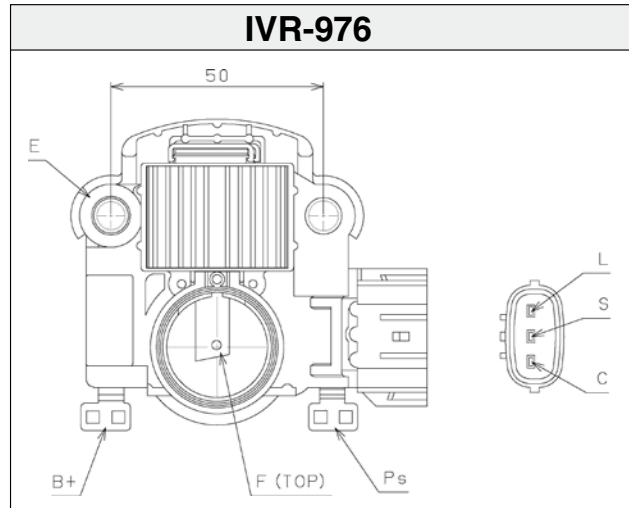
New-Era Co., Ltd.



DRAWING



Ref: Communication Site No.396(DEC.2012)



Ref: Communication Site No.396(DEC.2012)

INFORMATION

Certificate of registration revised by new authority ASR Co., Ltd.

OLD MARK



ISO 14001
JQA-EM5715
HEAD OFFICE
AND FACTORY

ISO 9001
JQA-3170
HEAD OFFICE
AND FACTORY

NEW MARK



REGISTERED FIRM
ISO 14001
E0826
HEAD OFFICE
AND FACTORY

REGISTERED FIRM
ISO 9001
Q2193
HEAD OFFICE
AND FACTORY

