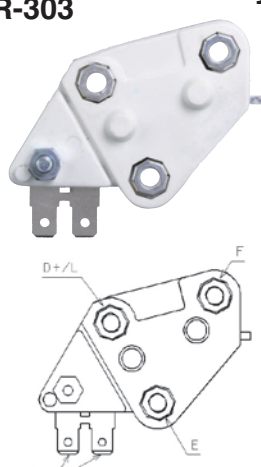
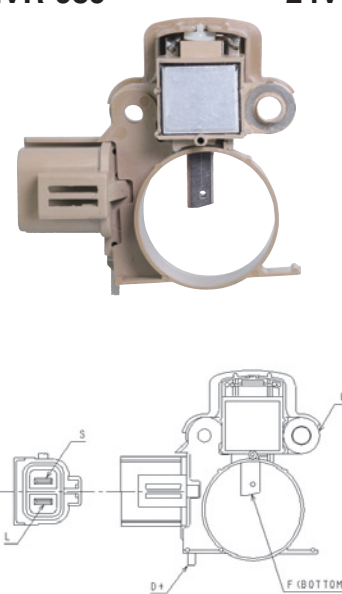
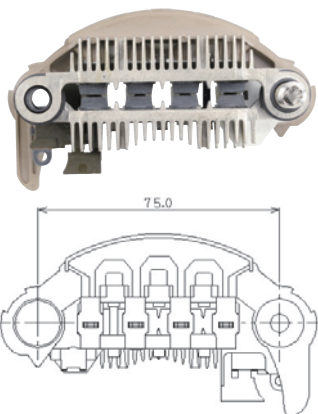

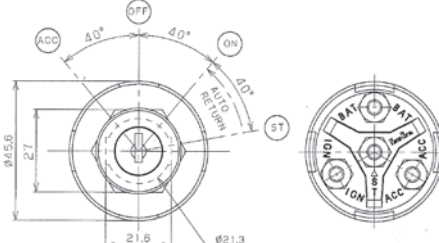


NEW PRODUCTS NP-233

Illustration	Ref. No.	Application	On Sale
<p>IVR-303 12V</p> 	<p>1116406 1116407 1116435 1894489</p>	<p>DELCO REMY 10SI 20SI 21SI 26SI 29SI 30SI</p>	<p>NOV.'15</p>
	<p>480PCS./CARTON CARTON SIZE: 43×41×34cm (0.05994m³) G/W:18.0kg</p>		
<p>IVR-989 24V</p> 	<p>SLA1-18-W70 (A866X17872)</p> <p>ALTERNATOR 24V 25A SLA1-18-300B (A002T73676) SLA1-18-300C (A002T73776) SEA1-18-300B (A002T73876) TF01-18-300C (A002T73984) SLA2-18-300B (A002T74176) SLE1-18-300D (A002T74076)</p> <p>24V 30A SLE2-18-300D (A002T74276)</p> <p>24V 40A SLA3-18-300E (A003T76276) SLF3-18-300D (A003T76376) SLF2-18-300C (A003T76476) TF02-18-300C (A003T76582)</p>	<p>MAZDA TITAN</p> <p>WGLAD,WGLAK,WGL4H (SL) '89~ WGL4S,WGL4T,WGLAF WGLAT,WGL7H,WGL7T WGLAN,WGL4M,WGLAM WGFAD (HA) '89~ WG5AT (XA,S5) '89~ WGFAT (SF) '89~ WGT1D,WGTAD,WGTAK (TF) '89~ WGT4H,WGT4T,WGT7H WGT7T,WGTAE,WGTAT WGT7V</p>	<p>DEC.'15</p>
<p>50PCS./CARTON CARTON SIZE: 44×44×15cm(0.02904m³) G/W:6.0kg</p>			

<http://www.newera.co.jp/>

NEW PRODUCTS

Illustration	Ref. No.	Application	On Sale																														
<p>D-044 12V</p>  <p>100PCS./CARTON CARTON SIZE: 41×24×51cm(0.05018m³) G/W:15.0kg</p>	<p>1800A103 (A860X92870)</p> <p>ALTERNATOR 12V 85A 1800A119 (A005TG00581) 1800A316 (A005TG2691ZT) 1800A401 (A005TG3391)</p>	<p>MITSUBISHI MIRAGE AI</p> <p>A05A HA1W</p> <p>(3A90) (3B20)</p> <p>'12~ '05~</p>	<p>DEC.'15</p>																														
<p>NIG-003 12V</p>  <p>60PCS./CARTON CARTON SIZE: 38×24×31cm(0.02827m³) G/W:13.0kg</p>	<p>UNIVERSAL TYPE</p> <table border="1" data-bbox="495 904 860 1074"> <thead> <tr> <th>P</th> <th>T</th> <th>BAT</th> <th>ACC</th> <th>IGN</th> <th>ST</th> </tr> </thead> <tbody> <tr> <td>ACC</td> <td>○</td> <td>○</td> <td>—</td> <td>—</td> <td>—</td> </tr> <tr> <td>OFF</td> <td>—</td> <td>—</td> <td>—</td> <td>—</td> <td>—</td> </tr> <tr> <td>ON</td> <td>○</td> <td>○</td> <td>○</td> <td>—</td> <td>—</td> </tr> <tr> <td>ST</td> <td>○</td> <td>—</td> <td>○</td> <td>○</td> <td>○</td> </tr> </tbody> </table>	P	T	BAT	ACC	IGN	ST	ACC	○	○	—	—	—	OFF	—	—	—	—	—	ON	○	○	○	—	—	ST	○	—	○	○	○		<p>On Sale</p>
P	T	BAT	ACC	IGN	ST																												
ACC	○	○	—	—	—																												
OFF	—	—	—	—	—																												
ON	○	○	○	—	—																												
ST	○	—	○	○	○																												

INFORMATION

ALTERNATION OF LS-77/78

